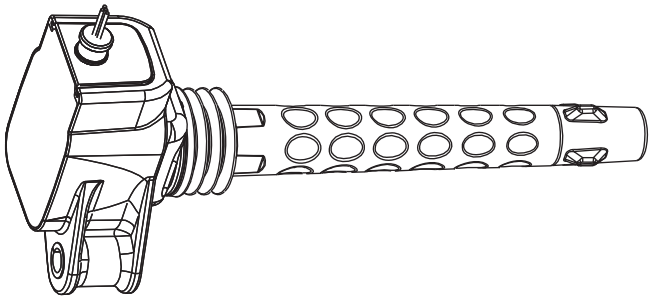
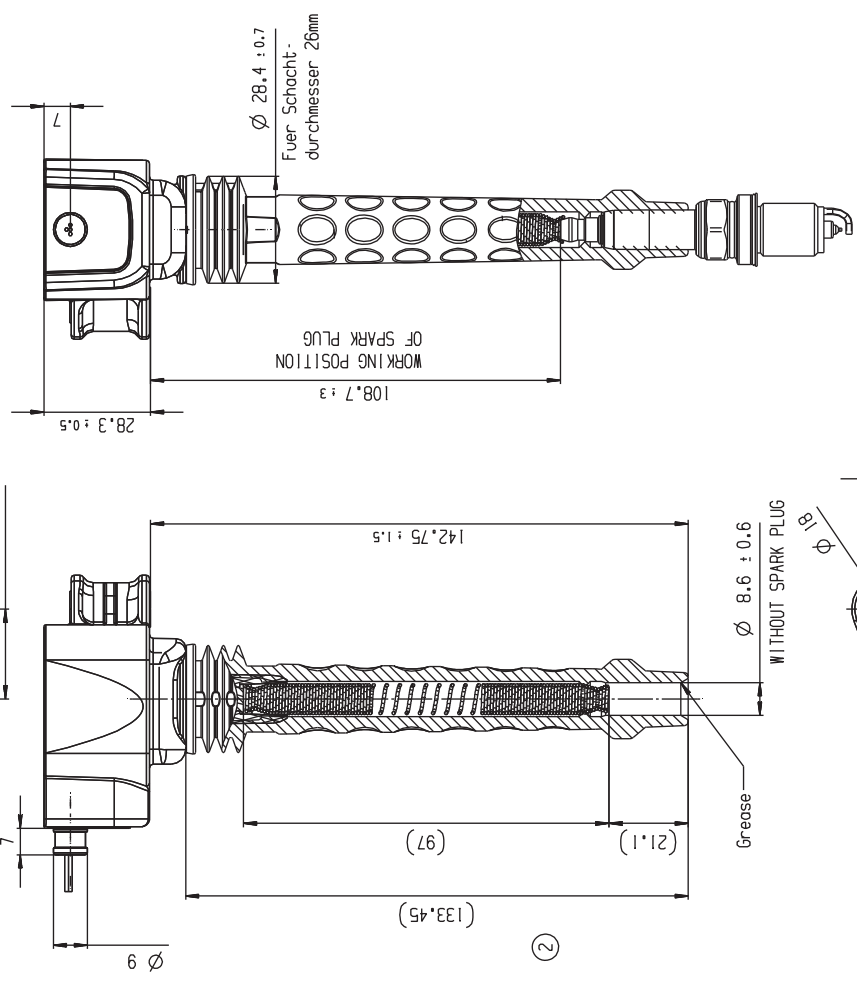
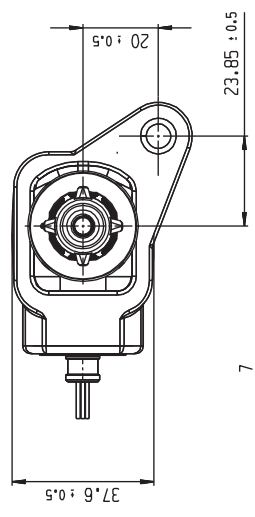
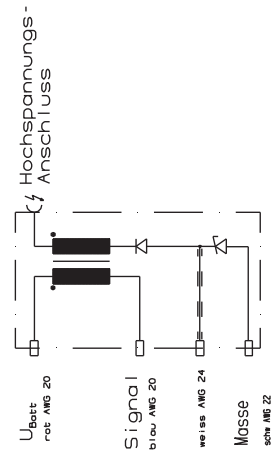


RECOMMENDED FASTENER:
M6 8.8
TIGHTENING TORQUE: 7 ± 1Nm



Schaltbild
C CIRCUIT DIAGRAM:



Achtung:
Primäranschluss führt
gefährliche Spannung!

CAUTION:
PRIMARY CONNECTOR
CONDUCTING DANGEROUS VOLTAGE
REGULATIONS AND REMARKS:

CAUTION:
OUTER CORE MAY CONDUCT
DANGEROUS VOLTAGE.

DON'T DISASSEMBLE SPARK PLUG CONNECTOR.
IGNITION COILS, THAT HAVE FALLEN DOWN,
HAVE TO BE SORTED OUT AND
REPLACED.

General tolerance for all given tolerances fuer
lin., dia./L., radial, ang./radial
±, mm ±, °

20130426	del/2ph	050165-SI/ENI	
20130312	del/2ph	050165-SI/ENI	
20111213	del/2ph	050165-SI/ENI	
YYYYMMDD	Drawn/Rev.	Checked/Spec.	Released/rev. EBNK Resp. dept./Vertrieb. Abs.
Lang./Spr. / Syst. en/de	US	Ign./Gen.	
Scale/Verstab	1:1		
OFFER DRAWING ANGEBOTSZEICHN.		AGZ	0 221 A00 256_01
Repl. for		Repl. for	
Sheet/Bl.		1 / 1	
Part No.		00102 A2	
Prod. No.		00102 A2	
Date		09/10	

